

LIVING

Wash Unit

Operating Instructions

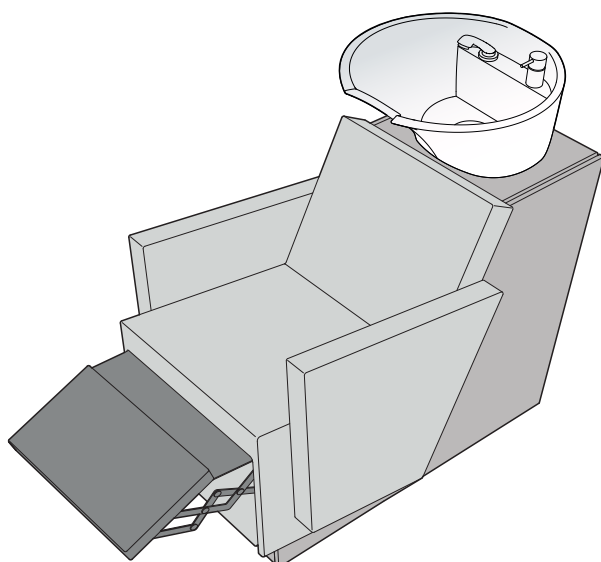
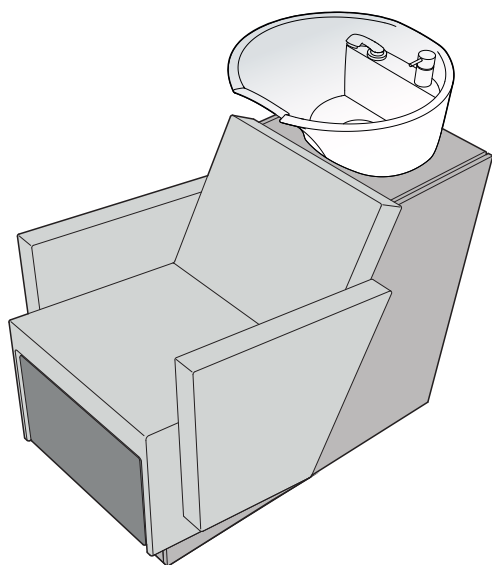


Table of Contents

Description of Warning Symbols	2
Safety Precautions	2
Precautions for Use	5
Precautions for Use handling precautions	7
Position of Warning Labels	7
Name of Parts	8
Precautions on Resin (Plated) Parts	8
Daily Inspections	10
Standard Duration of Use	10
Consumable Supplies	10
Disposing of This Product	10
After-sales Service	10
How to use	11
Dimensions	11
Specifications	13

Thank you for purchasing this Takara Belmont product. The instructions contained in this booklet should be thoroughly read and understood before use. Using this product before reading this operating instructions may result in an accident. This product is an industrial shampoo unit designed for barbers and hair salons. Only use this product for its intended purpose and do not use it for non-hairdressing work. Keep this instruction and refer back to them when required.

Please keep this manual in a safe place for your future reference
 A PDF version of this manual can be downloaded at takarahairdressing.co.uk/download

Description of warning Symbols

°Before using this product











The "Safety Precautions", "Precautions for Use" and "Precautions for Handling Synthetic Leather" contained in this booklet should be thoroughly read and understood before use.

°Precautions listed here

The precautions listed here are to ensure that this product can be used safely, and to prevent any danger or risk to the person using this product or those around them.

These precautions are important for ensuring safety. Adhere to these precautions at all times. Takara Belmont is not responsible for any damage or risk to the person using this product or those around them due to accidents if this product is used without adhering to the "Safety Precautions", "Precautions for Use" and "Precautions for Handling Synthetic Leather". In this case, the person failing to adhere to the "Safety Precautions", "Precautions for Use" and "Precautions for Handling Synthetic Leather" will be responsible for any damage or risk incurred. Detailed descriptions of symbols are provided below. Read and understand these symbols thoroughly before reading this instruction.

° Symbols

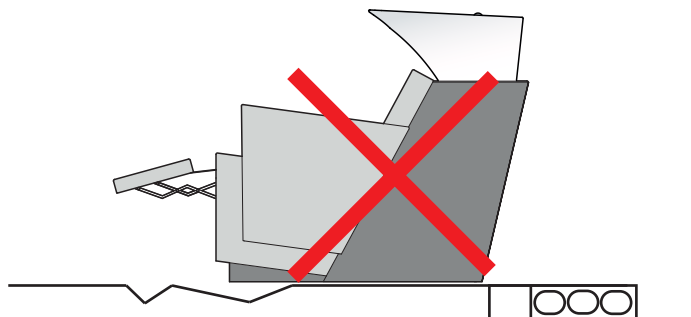
	Warning	If this symbol is ignored and the product is used, "there is the risk of death or serious injury to the user".	
	Caution	If this symbol is ignored and the product is used, "there is the risk of light or moderate injury or physical damage".	
	Note	Description of "ideal points to adhere to for safety".	
	Common danger, warning and caution notifications		Guidance or instruction regarding common user actions
	Common prohibited actions		Remove power plug from the power outlet
	Prohibited disassembly or repairs/modifications		Always connect a ground cable
	Notification of high temperature warning		Remove power plug from the power outlet

Safety Precautions (Adhere to these precautions at all times)













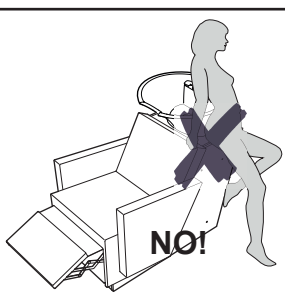

Warning

Install on a stable area

Install the main body on a flat, firm floor, and fix it securely. Failure to follow this instruction may cause the main body to fall over.



Warning

	<p>Stop using this product if it does not move, or if it feels like there is a problem present. Stop using this product if the seat does not move, or if it feels like there is a problem present.</p>
	<p>Ground items properly. Failure to follow this instruction may cause electric shock if there is a malfunction or ground leakage. Contact a professional for grounding. (if an extension power cable is used)</p>
	<p>Turn the power off if this product is not going to be used for a long period of time or during maintenance. Always turn the power off after work, if this product is not going to be used for a long period of time, or during maintenance. Failure to follow this instruction may cause ground leakage fires, electric shock or burns due to insulation deterioration</p>
	<p>Remove the power plug if this product is not going to be used for a long period of time or during maintenance. (if an extension power cable is used) Remove the power plug from the power outlet if this product is not going to be used for a long period of time, such as after work, when the shop is closed or during maintenance. Dust and moisture may cause faulty insulation, leading to a ground leakage fire. Failure to follow this instruction may cause electric shock or burns.</p>
	<p>Take care that customers or other people do not touch the power switch Take care that customers or other people do not touch the power switch while using this product. Carelessly operating the switch may cause injury.</p>
	<p>Do not sit on the end of the legrest. Do not sit on the end of the legrest. The seat may lose balance and fall over, causing injury, or damage to the seat.</p>
	
	<p>Do not climb on the seat. Failure to follow this instruction may damage the seat, or cause injury.</p>
	
	<p>Do not use with two or more people. The seat must not be used by two or more people at the same time. The maximum load of this product is 135 kg or less. Using this product while it is unstable or with a load that exceeds the maximum load may cause malfunctions or damage, leading to injury.</p>
	
	<p>Do not climb on parts such as the basin or backrest. Do not climb on, pull or apply excessive force to parts such as the basin, backrest or end of the seat. Failure to follow this instruction may damage the product or cause it to fall over.</p>
	
	<p>DO NOT INSERT FINGERS INTO MOVABLE PARTS</p>

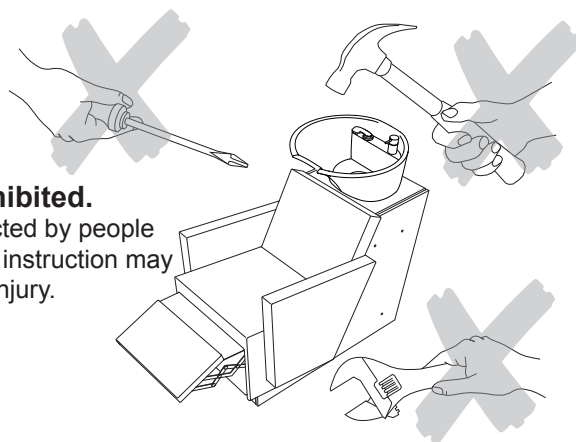


Warning



Disassembly and repairs/modifications are prohibited.

Disassembly, repairs and modifications must not be conducted by people other than qualified repair technicians. Failure to follow this instruction may cause electrocution, fire or abnormal operation, leading to injury.



Do not lean on the basin when working between the seat and basin.

Leaning on the basin may cause the basin to fall over. Also, coloring dyes on the neck cushion or basin may stain the user's clothes.



Adjust the water temperature while checking the temperature by hand.

When adjusting the temperature of the water, reduce the volume of water, point the shower head away from the customer and check the temperature by hand. Take care when doing so, as hot water may come out of the shower head.



Do not use hot water (boiling water) of 60°C or higher.

Using hot water of 60°C or higher may deform or damage the basin, shower head.



Return the water temperature to an appropriate position after using hot water.

Return the water temperature to an appropriate position after using hot water. Continuing to use the hot water in the hot position may cause burns.



Do not spray areas other than the basin with water.

° Take care not to spray areas other than the basin with water. If water does come in contact with areas other than the basin, wipe them dry as soon as possible. Water entering the main body may cause malfunctions or a ground leakage fire.

° Take care not to allow water to drip on the floor. If water does drip on the floor, wipe it dry as soon as possible. Failure to follow this instruction may damage the floor, or cause water leakage.



Do not use this product with the cover broken.

Replace the cover if it breaks. Continuing to use this product with a broken cover may cause a malfunction or an accident.



Do not use this product if the coating is peeling.

Replace the water taps (tap cover) if the coating is peeling. Continuing to use this product when the coating is peeling may cause injury.



Do not use outdoors.

This product is designed for indoor use. Do not install this product outdoors or within a vehicle. Be sure to only use this product inside a barber or hair salon. Failure to follow this instruction may cause malfunctions or damage to the main body.



Do not turn the water fully on with the shower head in the shower head bracket.

Failure to follow this instruction may cause water to spill out of the basin, covering the customer with water. When turning the water on with the shower head in the shower head bracket, check the surrounding area and turn the tap slowly.



Do not place objects on this product.

Only allow people to sit on the seat. Placing heavy objects on the seat may cause deformation and damage, leading to injury.



Do not drink the water.

This product is designed for washing hair. Do not drink the water. The water quality may cause diarrhea or stomach pain.



Warning



Only use this product for its intended purpose and do not use it for non-hairdressing work.

This product is an industrial product designed for barbers and hair salons. Only use this product for its intended purpose and do not use it for non-hairdressing work.



Do not use the product in a place where freezing is expected.

Failure to take this precaution may result in breakage of parts, thus resulting in water leaks. Repair of breakage due to freezing will result in fees being charged even during the warranty period. If freezing is expected, maintain the room temperature at 0°C or above by using a heater.

Precautions for Use



Caution



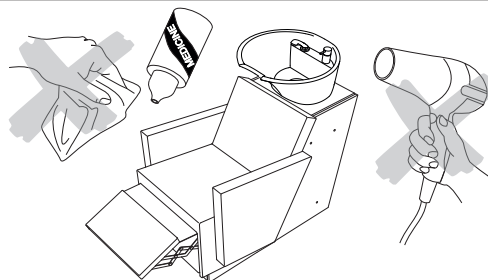
Do not use strongly acidic or strongly alkaline cleaning solvents.

Do not use cleaning solvents containing mainly caustic soda (NaOH) or caustic potash (KOH) to clean the drain pipe. Never pour thinners, alcohol, nail polish remover, gasoline or kerosene into the drain. Failure to follow this instruction may cause damage to the drain hose.



Do not wipe with chemicals or apply heat.

Failure to follow this instruction may cause deformation or discoloration. If chemicals spill on to the leather or covers, wipe them dry as soon as possible.



Clean the hair catcher regularly.

Clean the hair catcher as regularly as possible. Continuing to use the hair catcher without cleaning it may cause the drain to become blocked with hair, leading to water overflowing and unhygienic conditions. Try to clean the hair catcher after each shampoo.



Return the shower head to the shower head

bracket so that the spray nozzle faces the basin.

Failure to follow this instruction may cause water to spill out of the basin or cover the customer with water.



Always wipe the floor clean if it is wet.

Wipe the floor as soon as possible if it is wet after shampooing. Failure to follow this instruction may damage the floor or cause degradation and malfunctions to parts in contact with the floor.



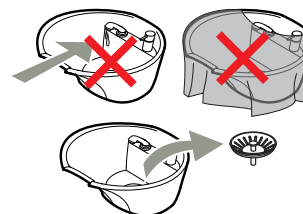
After use, wipe water away from all

Leaving the main body with water on it may cause damage, and make dirt difficult to remove.



Do not cover the drain outlet when this product is not going to be used.

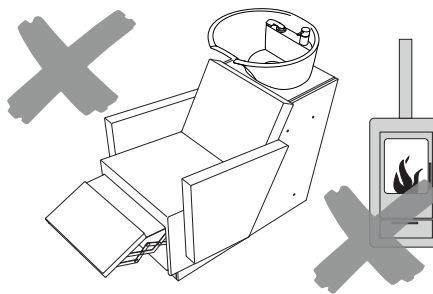
Do not cover the drain outlet with the drain cap, towel, or shampoo cloth after finishing the work. Water may overflow the basin when water is improperly discharged or a small amount of water is discharged due to an increase in water pressure during the night, resulting in water leaks. Be sure to remove the trap cover from the drain outlet when the product is not in use.



Avoid direct sunlight or heat from a stove.

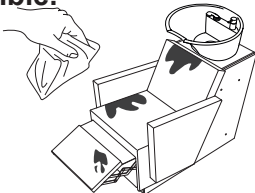

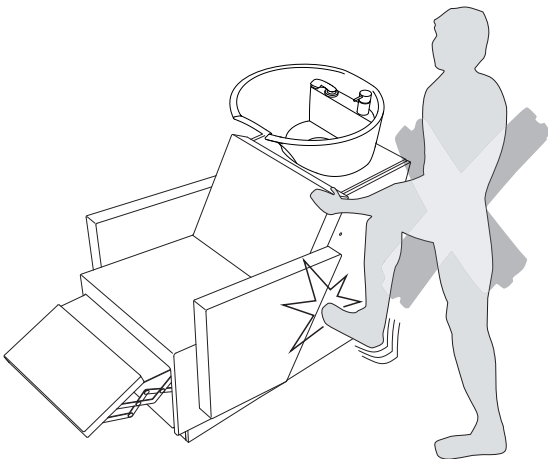
Avoid direct sunlight or heat from a stove.

Failure to follow this instruction may cause discoloration or degradation of the leather.





Caution

	<p>Do not leave the shower head immersed in water. If pressure in the water pipes decreases due to repairs that follow water stoppages, the water in the basin may flow back through the shower head.</p>
	<p>If chemicals spill on to this product, wipe them dry as soon as possible. If chemicals such as hair dyes spill on to this product, wipe them dry as soon as possible. Failure to follow this instruction may cause discoloration, deterioration or deformation. Also, if chemicals spill on to the floor, wipe them dry as soon as possible.</p> 
	<p>Do not drop heavy objects on to the basin. Do not place or drop heavy objects on to the basin. Failure to follow this instruction may cause damage such as scratches or cracks to the basin.</p>
	<p>Do not hit the unit with objects. Do not hit the unit with hard objects. Failure to follow this instruction may cause deformation or damage to the unit.</p>
	<p>Do not wet the shower head bracket with water. Do not wet the shower head bracket with water. Failure to follow this instruction may cause water leaks.</p> 
	<p>Users should take care to be aware of their surroundings when working between the seat and basin. Carrying metallic objects such as scissors while working may scratch the basin.</p>
	<p>Do not use a scourer. Do not use a scourer to clean the shower head, shower head bracket or covers. Using hard cleaning tools such as a scourer or a sponge with a scourer, metallic scouring pad or nylon scouring pad may cause scratches.</p>
	<p>Do not touch the hot water supply pipe or mixing pipe. The hot water supply pipe or mixing pipe may become very hot. Do not touch the pipes directly.</p>
	<p>Do not hit the cover with objects, or kick the cover. Failure to follow this instruction may cause malfunctions or accidents, leading to damage to the main body.</p> 
	<p>Be careful of use. The appliance is not to be used by children or persons with reduced physical, sensory or mental capabilities, or lack of experience and knowledge, unless they have been given supervision or instruction.</p>
	<p>Be careful of use. Cleaning and user maintenance shall not be made by children without supervision.</p>
	<p>Be careful of use. Children shall not play with the appliance.</p>

Precautions for Use



Handling precautions

°Stains caused by clothing dyes

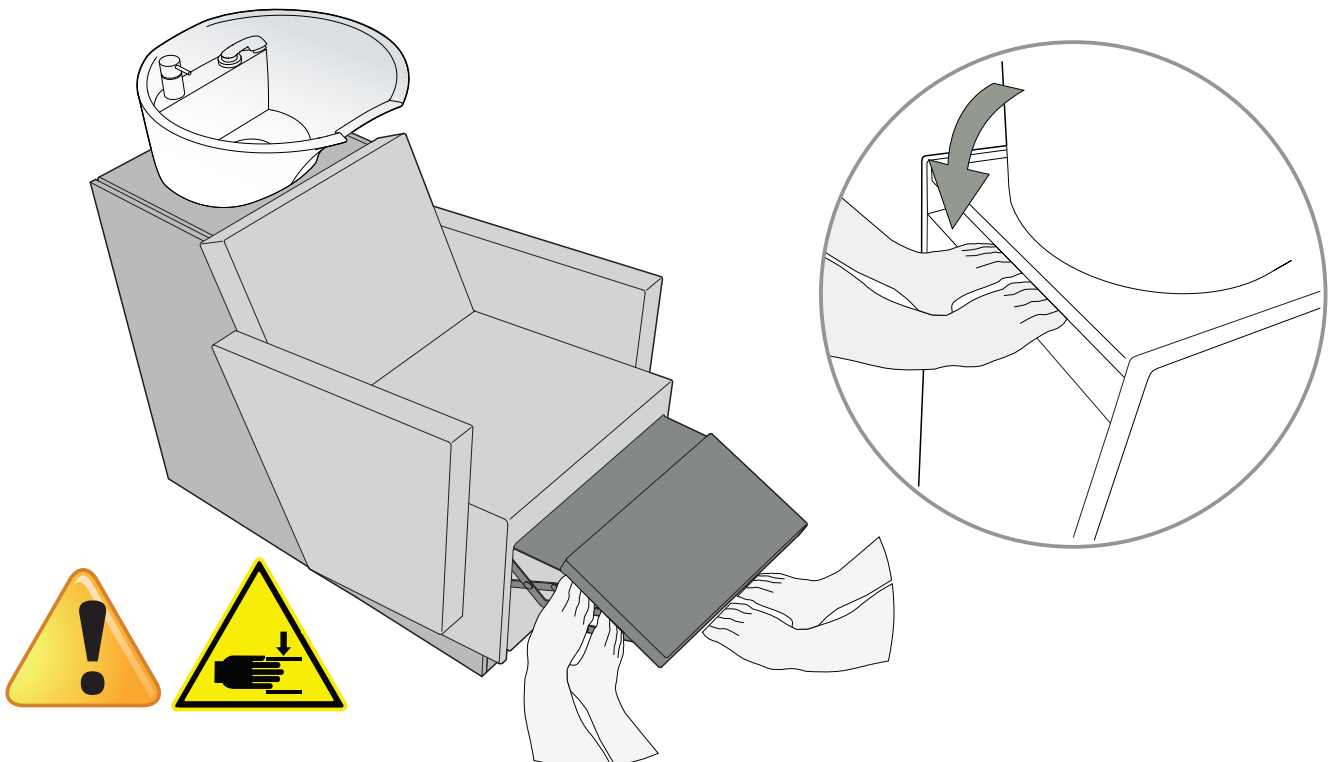
The synthetic leather of this product may become stained by direct contact with clothes or belts. If there is stains, wipe clean as quickly as possible with a 10% detergent solution diluted using water to prevent permanent staining.

°Take care of deformation or stains due to direct contact

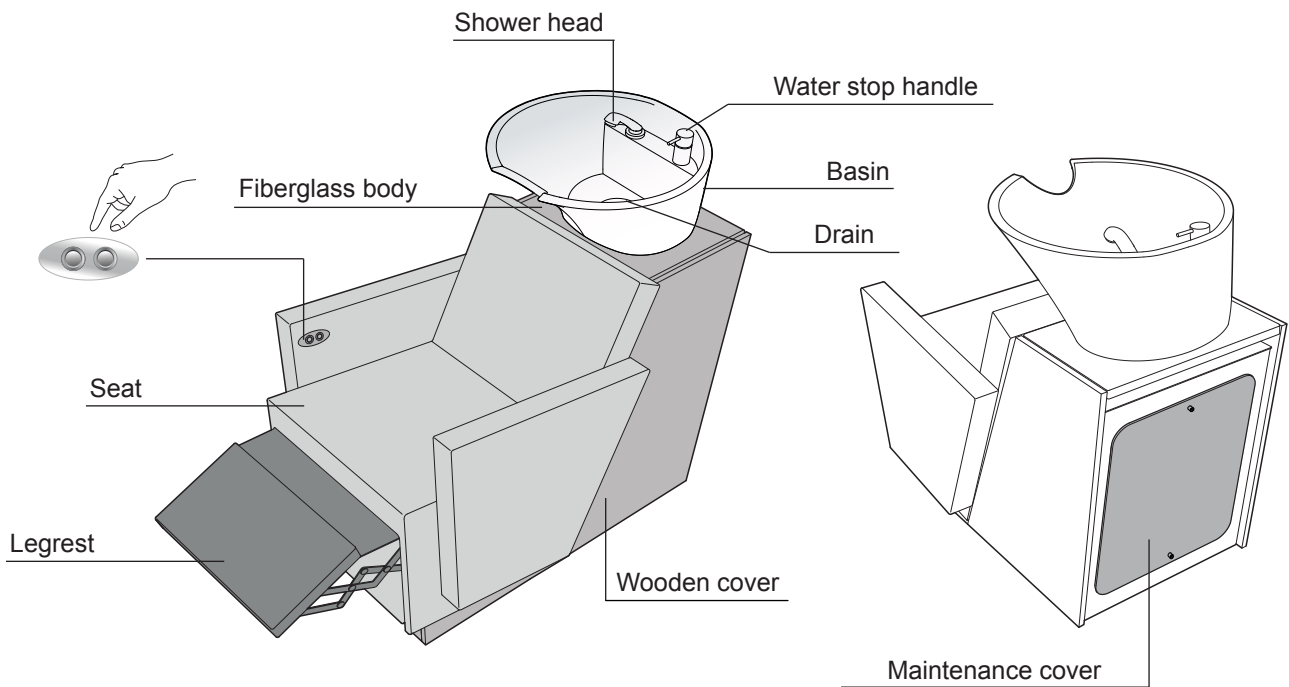
- Direct contact with other objects such as plastic products, painted items, solvents or adhesive tape may cause changes to the surface luster, cracking, deformation or peeling.
- Direct contact with newspaper or printed paper may cause stains.
- Direct contact with items of clothing such as printed images of t-shirts, or jeans may cause stains of the synthetic leather of this product.
- Direct contact with solvents such as benzene, nail polish remover, alcohol, oil (including beauty treatment oils) may cause discoloration, melting of the surface, elution of the plasticizing agent, changes to surface luster, hardening/softening or peeling.
- Using bleach or bleached sheets may cause changes to surface luster or discoloration.
- Installing this product next to sources of excess heat such as irons or heaters may cause deformation or discoloration.
- Protect this product from direct sunlight by installing curtains. Failure to follow this instruction may cause changes, shrinking, discoloration or fading of the leather surface.
- Placing heavy objects for a long period of time may leave an imprint or wrinkles on the synthetic leather that cannot be removed.

- Take care when handling products , as there may be difficulty in removing stains from the leather or stitching.

General Caution



Name of Parts



OPTIONAL PARTS: Connectors are NOT INCLUDED

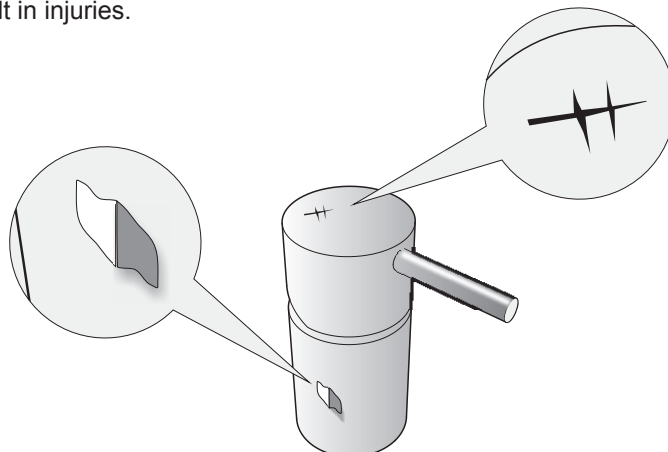
Precautions on Resin (plated) Parts

- Resin plating is adopted for part of the water stop knob and the temperature control knob.
- Plating is a thin, hard metal film applied to the surface that may crack or peel due to corrosion or aged deterioration.
- Flaws or cracks may occur on the plated surface due to impacts from falling objects.
- Flaws or cracks may occur on the plated surface when a hard object hits the surface.
- Peeling of the plating may occur from flaws or cracks on the plated surface.



Caution

Check that there are no flaws, cracks, or peeling of the plated surface of the knobs before using the product. If peeling is observed, immediately stop using the product and contact your closest dealer or Takara Belmont. Continued operation may result in injuries.



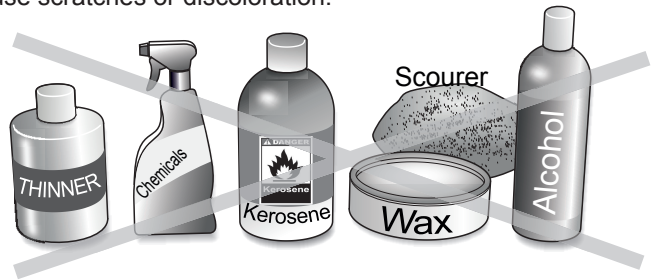
Maintenance



Caution

Never use volatile chemicals such as thinners, alcohol, gasoline or kerosene, cleaning products such as wax with a scourer, a sponge with a scourer, detergents that include organic solvents, acidic, alkaline or chlorine-based detergents, or scouring pads. Failure to follow this instruction may cause scratches or discoloration.

Thinner - Alcohol - Kerosene - Chemicals
Scourer



°Basin

Wipe any dirt clean using detergent diluted with water.

If streaked scratches appear due to contact with metallic objects such as watch bands, rub the area with a nylon scourer.

Carefully clean around the Mixer and Shower head attachment tools with an item such as a cotton-tipped swab.

Caution Do not use a metallic scourer or sandpaper, as this will damage the basin.

°Synthetic leather parts

h.

° Do not use leather cleaner containing solvents or scourers. The surface may degrade, leading to changes in the texture and luster. If leather cleaners are to be used, first check that there is no discoloration by testing in an area that is not visible.

Caution

° Do not use the following items.

Volatile chemicals such as thinners, alcohol, benzene, nail polish remover, gasoline or kerosene, wax with a scourer, or a sponge with a scourer.

° Do not use brushes or scouring pads.

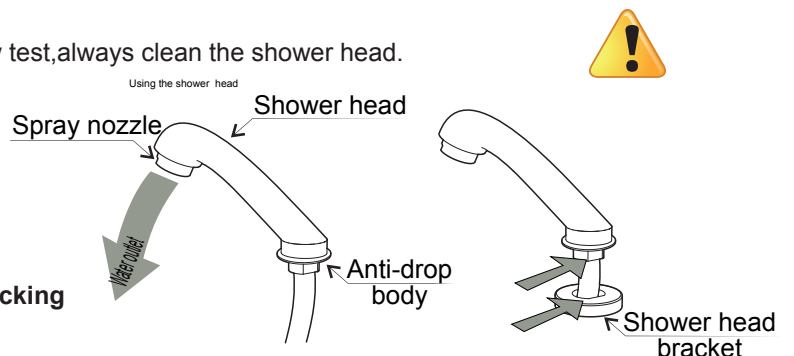
Do not use brushes or scouring pads when cleaning the leather. Failure to follow this instruction may cause scratches, and dirt may not be able to be removed.

°Shower head

After the hot water becomes clear during the water flow test, always clean the shower head.

Failure to do so can result in insufficient flow rate and faulty temperature regulation.

Take care not to damage or lose the O-rings and packing



Remove and clean any dirt trapped within the shower head

Daily Inspections

°Continuing to use this product without performing the daily inspections may cause malfunctions or accidents. To ensure that this product can be used for a long period of time, conduct the inspection below:

*Check that there is no rattle or abnormal noise when is operating. *Check that there is no water on parts other than the inside of basin. *Check if there is abnormal odor coming from the basin.*Turn the handle and check if hot water is output properly and than there is no abnormal noise, then close the tap and check that hot water stops properly. *Turn the water on and check visually that water is output from the shower head properly, that there are no water leaks from the water outlet or base of the shower head, and that the hot water is not tainted.

°Inspect the product once a week.

*Remove the back maintenance cover (see part list on page x) and check that there is no water leaking from the internal pipes or drain hose.

If the inspection results show defects, stop using the product. Please contact your closest dealer or Takara Belmont directly

Standard Duration of Use

The standard period of use of this product is seven years.

The standard period of use is "a guide for the standard period that this product can be used properly from a safety perspective, when conducting appropriate maintenance and inspections (including replacement of parts) for the standard usage conditions for each product.

This is not the same as the warranty period.

Consumable Supplies

The following parts are "consumable supplies" and wear, degradation, changes in external appearance and damage are expected.

Please note that repair or replacement of these parts is not covered by warranty, and a fee will be required.

(* The level and period of wear, degradation or damage may differ depending on the environment and conditions that the customer uses this product in)

Inspections or replacement of parts will be required if there is extensive wear, degradation or damage.



NO CONSUMABLE PARTS IN THIS PRODUCT

External scratches or dirt, degradation or fading of the following external parts are not covered by warranty.

°External parts

• Covers, frames, basin • Leathered surfaces (seat, legrest) • Mixer Kit (such as water tap, shower head)

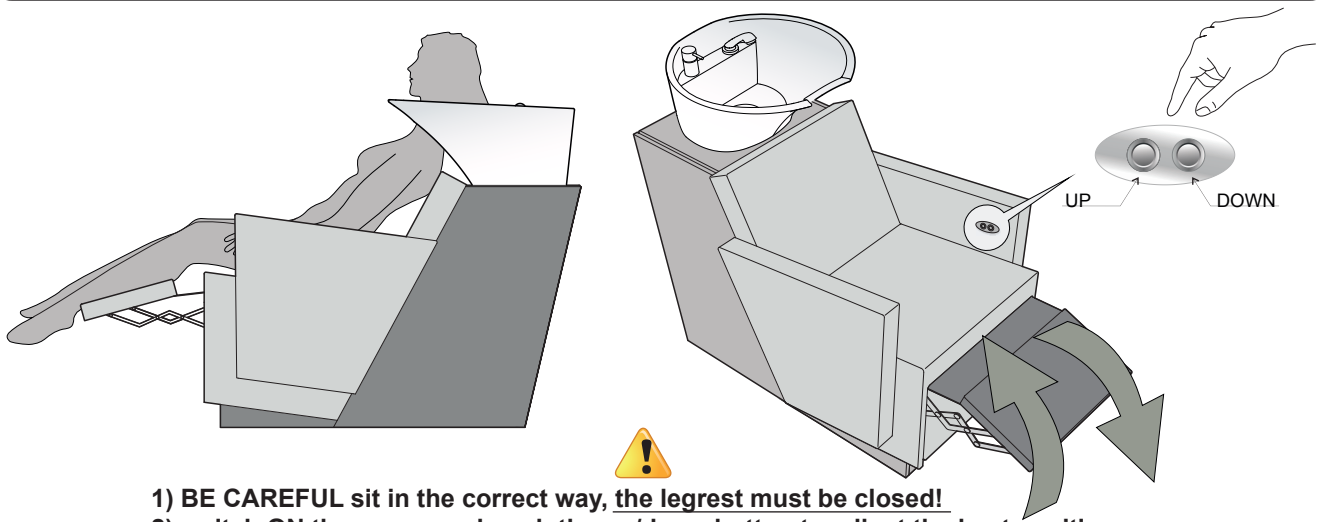
Disposing of this Product

When disposing of this product or replaced parts, adhere with current regulations and dispose of them appropriately

After - Sales Service

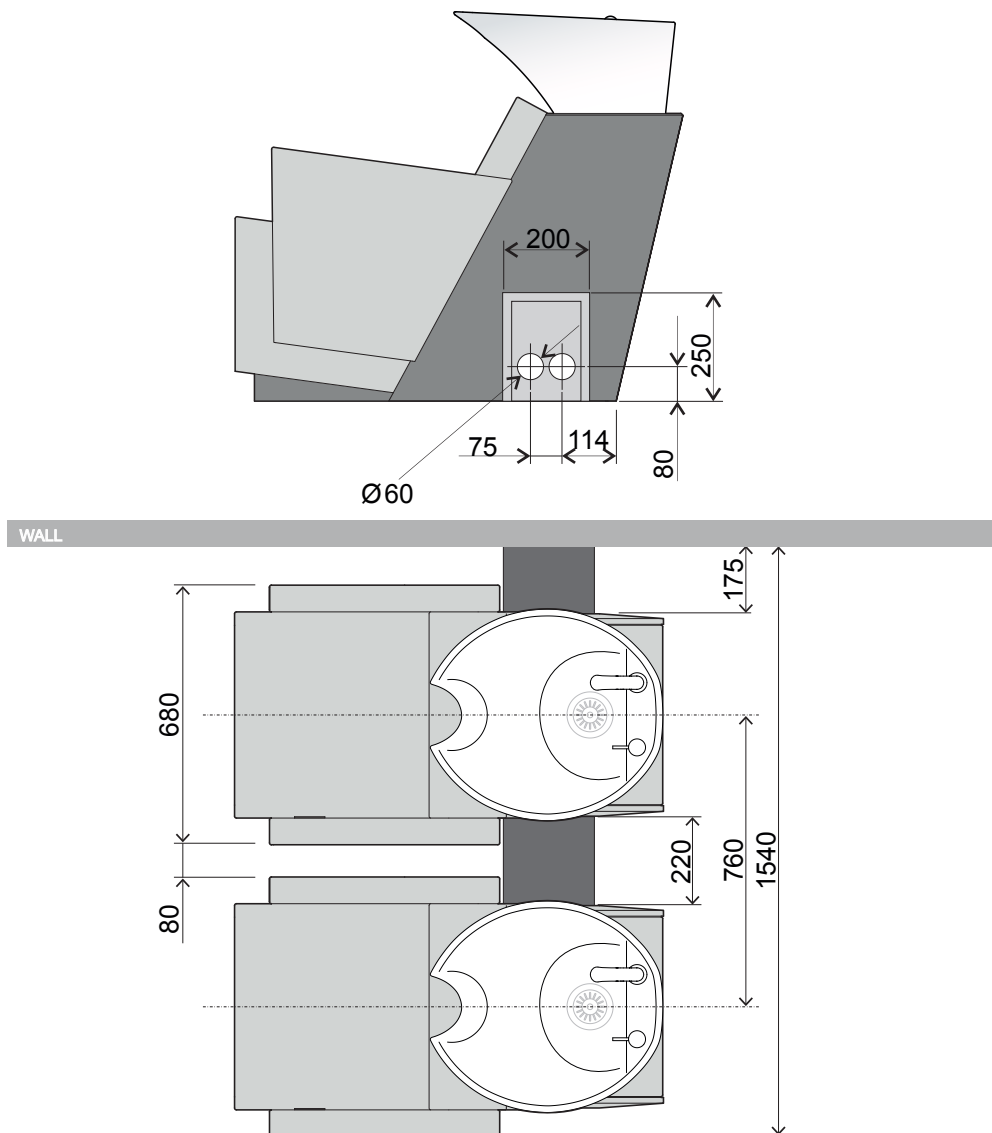
To request after-sales service, contact your closest dealer or Takara Belmont directly

How to use



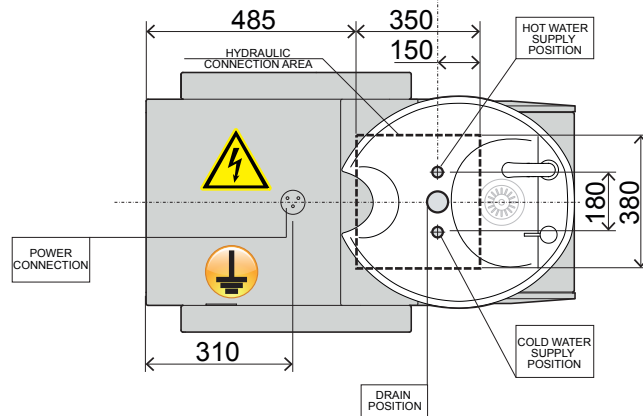
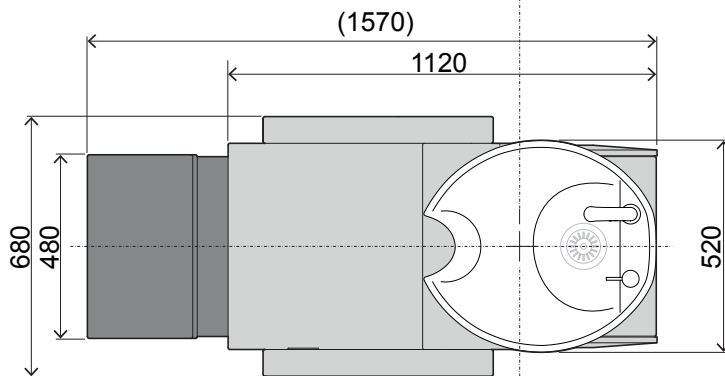
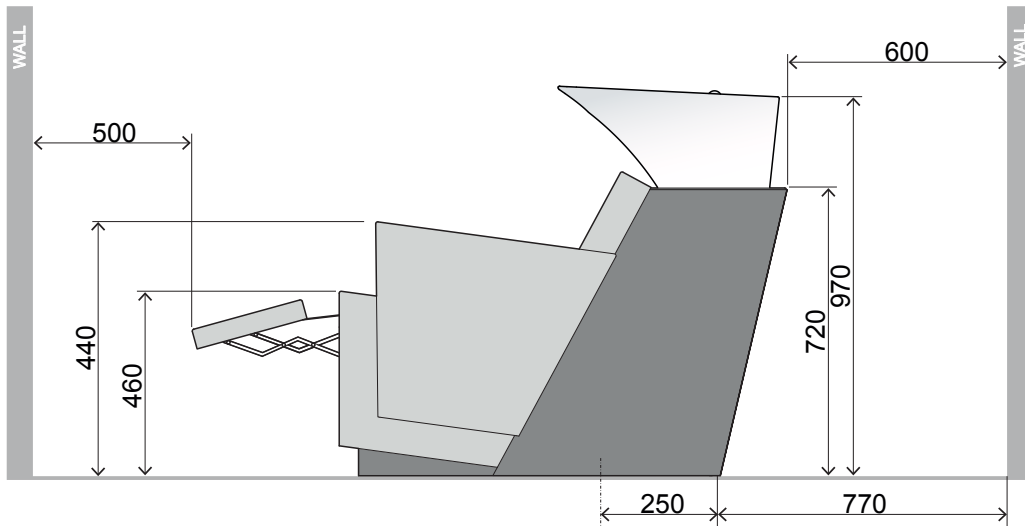
Dimensions

Dimensions in mm



Dimensions

Dimensions in mm



*The dimensions listed above may vary slightly from product to product

Specifications

Drive method	Electric
External dimensions	See "dimensions" on page 11-12
Stop valve	Not included
Rated voltage	AC 230 V
Rated frequency	50 / 60 Hz
Rated power consumption	4.0Amax
Usage enviroment	Operating temperature of 10 to 40°C Operating Humidity of 95% or less
Maximam allowable load for chair	130 kg
Maximum allowable load for legrest	30 kg



Takara Belmont (UK) Ltd.
 BELMONT HOUSE, ONE ST.ANDREWS WAY,BOW LONDON
 E3 3PA, UK
<http://www.takara.co.uk>
 TEL: +44(0)20 7515 0333