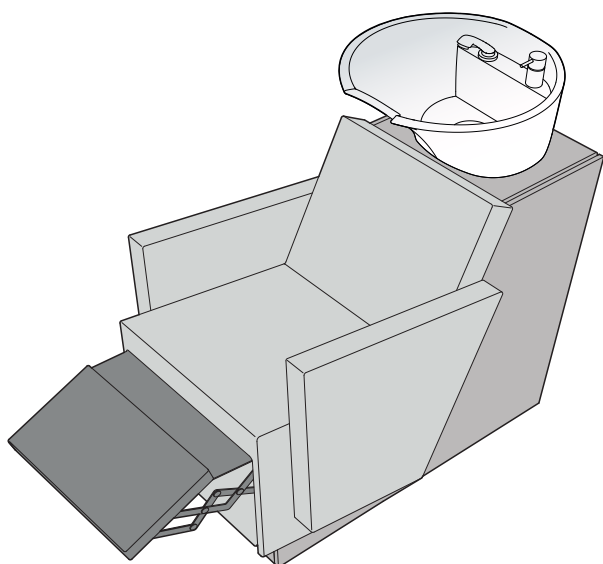
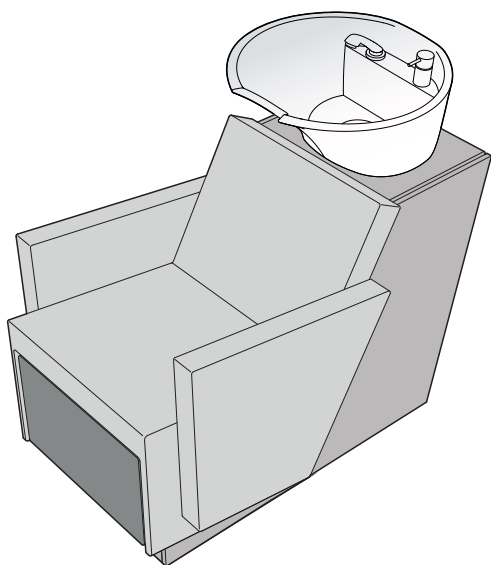


# LIVING

Wash Unit

## Installation Instructions



### Table of Contents

Description of Warning Symbols	2
Safety Precautions	2
Dimensions	3
Specifications	5
Usage conditions	5
Packaging	6
Carrying the main body	6
Installation of main body	7
Installation process for anchor bolts	7
Attach piping	8
Checks after installation of pipe	8
Wiring	9
After installation	9
Note	9

#### To the installer

- The instructions should be thoroughly read and understood before installation to ensure that LIVING is installed correctly.
- After installation, give these instructions to the customer.

#### To the customers

- Customers must not install LIVING by themselves.
- \* The actual shape of LIVING and the images and dimensions listed in these instructions may be modified and are subject to change without notice.

Thank you for purchasing this Takara Belmont product. The instructions contained in this booklet should be thoroughly read and understood before use. Using this product before reading this operating instructions may result in an accident. This product is an industrial shampoo unit designed for barbers and hair salons. Only use this product for its intended purpose and do not use it for non-hairdressing work. Keep this instruction and refer back to them when required.

Please keep this manual in a safe place for your future reference  
 A PDF version of this manual can be downloaded at [takarahairdressing.co.uk/download](http://takarahairdressing.co.uk/download)

# Description of warning Symbols

## °Before using this product










The "Safety Precautions", "Precautions for Use" and "Precautions for Handling Synthetic Leather" contained in this booklet should be thoroughly read and understood before use.

## °Precautions listed here

The precautions listed here are to ensure that this product can be used safely, and to prevent any danger or risk to the person using this product or those around them.

These precautions are important for ensuring safety. Adhere to these precautions at all times. Takara Belmont is not responsible for any damage or risk to the person using this product or those around them due to accidents if this product is used without adhering to the "Safety Precautions", "Precautions for Use" and "Precautions for Handling Synthetic Leather". In this case, the person failing to adhere to the "Safety Precautions", "Precautions for Use" and "Precautions for Handling Synthetic Leather" will be responsible for any damage or risk incurred. Detailed descriptions of symbols are provided below. Read and understand these symbols thoroughly before reading this instruction.

## ° Symbols

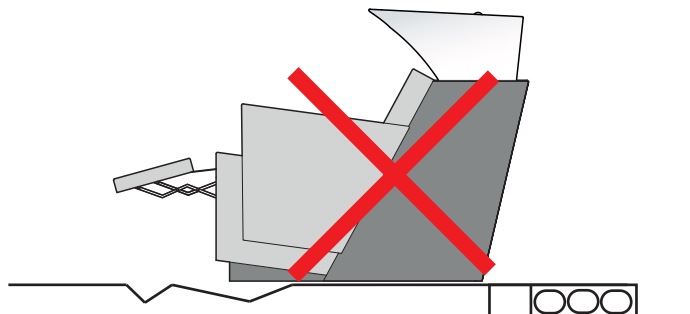
	<b>Warning</b>	If this symbol is ignored and the product is used, "there is the risk of death or serious injury to the user".	
	<b>Caution</b>	If this symbol is ignored and the product is used, "there is the risk of light or moderate injury or physical damage".	
	<b>Note</b>	Description of "ideal points to adhere to for safety".	
	Common danger, warning and caution notifications		Guidance or instruction regarding common user actions
	Common prohibited actions		Remove power plug from the power outlet
	Prohibited disassembly or repairs/modifications		Always connect a ground cable
	Notification of high temperature warning		

## Safety Precautions (Adhere to these precautions at all times)

### **Warning**

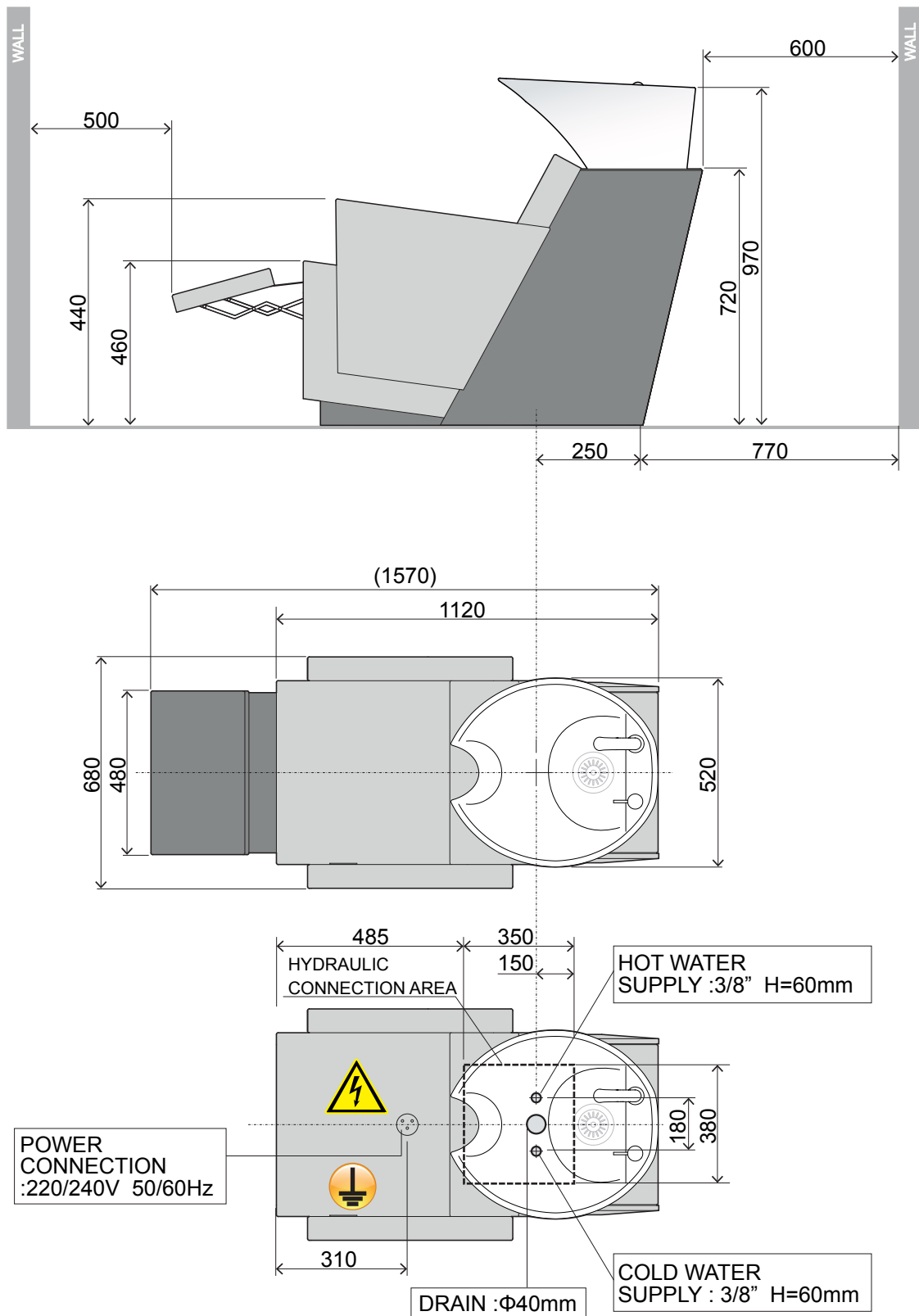
#### **Install on a stable area**

Install the main body on a flat, firm floor, and fix it securely. Failure to follow this instruction may cause the main body to fall over.



# Dimensions

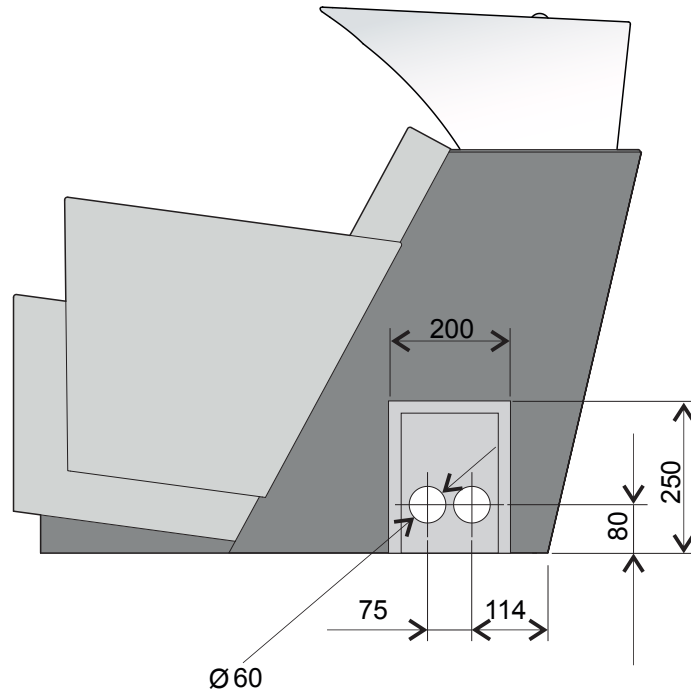
Dimensions in mm



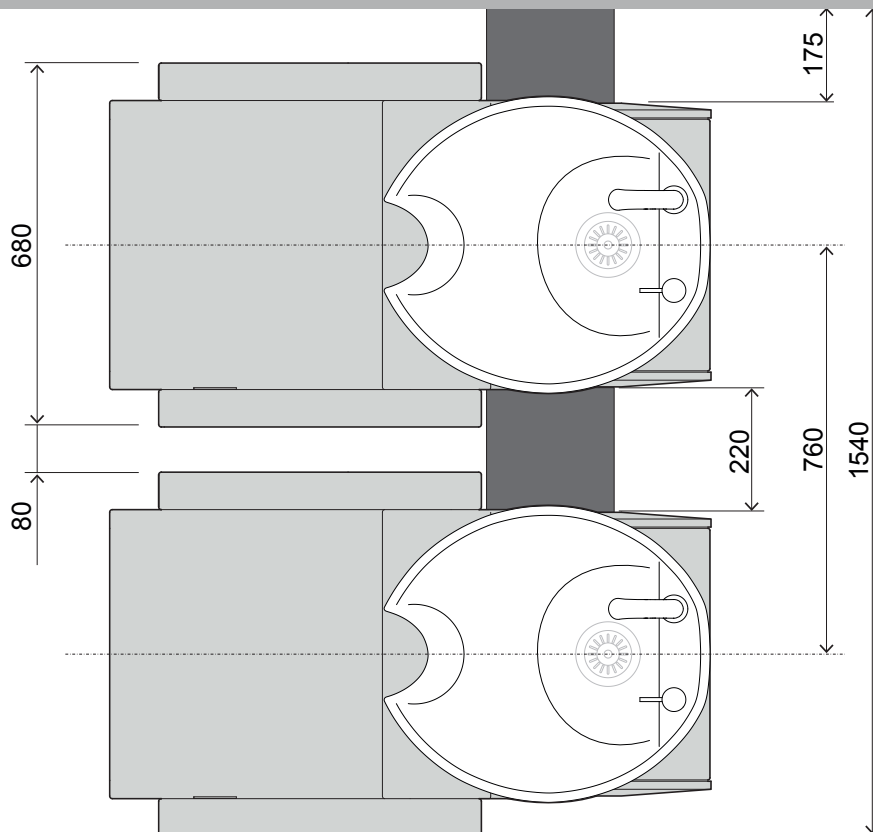
- 1) The dimensions listed above may vary slightly from model to model
- 2) The sample values shown are for a 170 cm tall person lying down. Ensure that there is a ample space surrounding the seat for extremely tall customers or if the surrounding area is used as a passageway

# Dimensions

Dimensions in mm



WALL



# Specifications

## Floor surface

- °Ensure that the material or finishing of the floor surface is waterproof or has a waterproof coating applied.
- °Always ensure that the floor surface is horizontally level.
- °Ensure that the floor surface is smooth and free from bumps around the attachment areas.
- °If the floor surface is tiled, cracks may occur when fastening the bolts during installation of the LIVING main body. If this looks likely to happen, use the main body attachment diagram and template as a reference and change the material of the attachment area that is in contact with the floor to another such as plywood or mortar.
- Take care during installation as the entire base surface of the seat body is not in contact with the floor.
- °The following levels of strength are required for the floor surface.

Wooden floor	Plywood thickness of 30 mm or more (two 15 mm sheets joined together)
Mortar floor	Mortar thickness of 50 mm or more
Special floor (stone finish)	A foundation with levels of strength listed above around the installation areas is required.

## Preventing water leakage

- °If this product is to be installed upstairs, ensure that the installation area has been coated with waterproof materials (waterproof finish, installation of a stainless steel pan or a water leakage sensor).
- °Fill the space between the installation area and pipe with caulking materials.

## Installation of pipes

- The following are important points to adhere to during the installation of pipes.
- Read through the details carefully and ensure that the pipes are installed correctly.
- °When installing this product, ensure that installation of pipes adheres to the instructions outlined in "Precautions during installation of pipes". Installing pipes without reading through the precautions will mean water may not mix properly, and a set temperature will not be achieved.
  - °This product is designed for indoor installation. Always install this product indoors.

## Precautions during installation of pipes

- °Do not use pipes made of materials that may introduce rust for the water supply pipe.
  - °In general, the same diameter and same pressure is recommended for hot water pipes and water supply pipes.
  - °Always use a reamer to deburr the ends of cut pipes.
  - °Avoid using inverted U-shaped pipes (siphon) as these can cause air to become trapped.
  - °Always connect hot water pipes and water supply pipes after removing all contaminants such as dirt, sand and oil as these can cause problems.
  - °After connecting the pipes and testing water flow, clean the filter and shower head.
  - °Do not connect the hot water pipes and water supply pipes in reverse.
- Connecting pipes in reverse will mean the temperature of water cannot be controlled properly by the water taps, which can cause problems including burns.
- °Ensure that the hot water pipes from water boilers are only run over a short distance so as to minimize resistance. Longer pipes can cause fluctuations in temperature and poor hot water delivery.
  - °Always wrap pipes with lagging material after installation is complete.
  - °Water boiler pipes
  - ° In general, the same diameter and same pressure is recommended for main hot water pipes and main water supply pipes.
  - °Equipment comes with hair catchers installed.

# Usage conditions

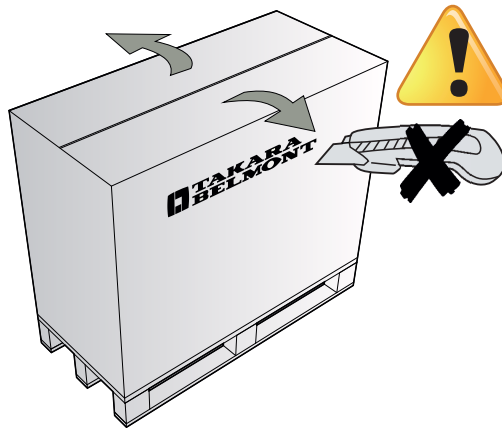
## Water used

- ° Public water supply (do not use non-drinkable well water or water that contains rust or sand.)
- ° If the water hardness is 80 ppm or higher, install a water softener to prevent the buildup of scale within the basin body. Aeration may be minimal when using shampoo even if drinkable well water is used, so a water softener should be installed.

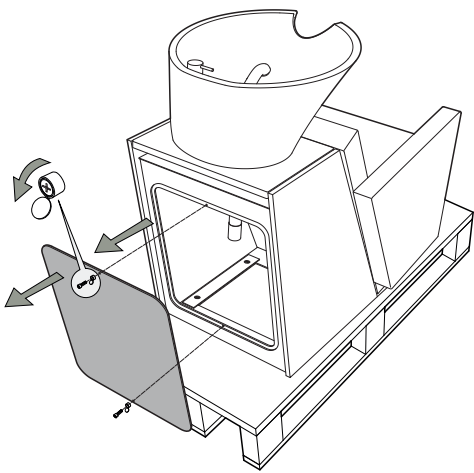
## Hot water supply, water supply pressure

- ° Use a pressure set between 0.1 to 0.4 MPa (1 to 4 kgf/cm<sup>2</sup>). If multiple LIVING are used, ensure that the pressure does not drop below 0.1 MPa (1 kgf/cm<sup>2</sup>).
- ° Set the water supply pressure > hot water supply pressure.
- ° Set the difference between the hot water supply pressure and water supply pressure to within 0.2 MPa (2 kgf/cm<sup>2</sup>).

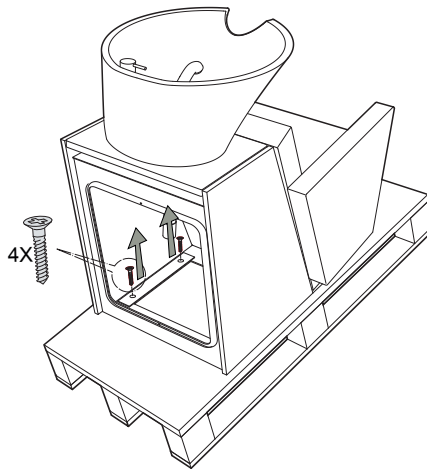
# LIVING packing



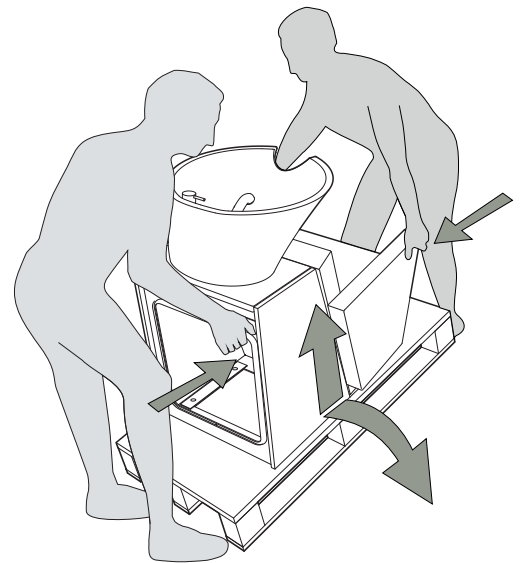
 Precaution



**1**  
Open the back  
maintenance cover



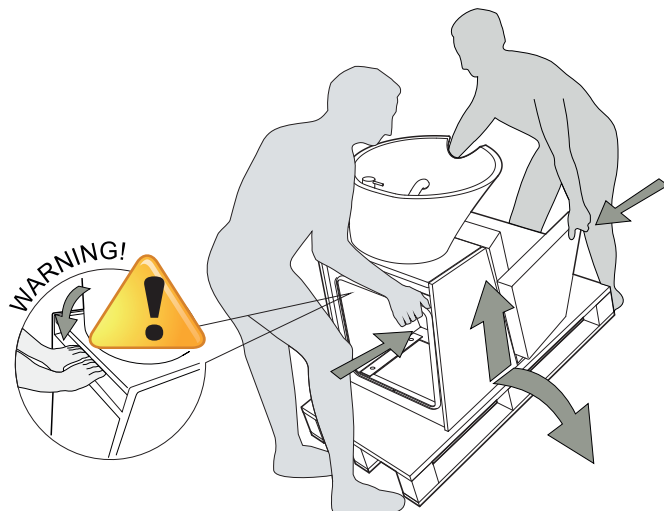
**2**  
Remove screws  
for transportation



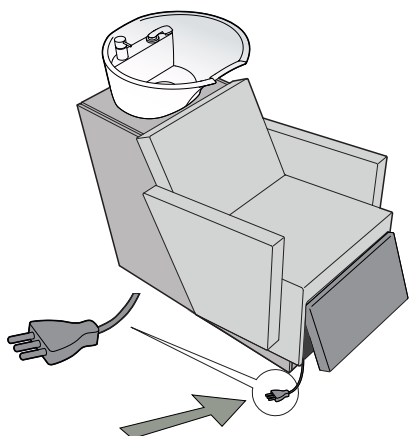
**3**  
Unpack the wood frame  
and remove the main body

# Carrying the main body

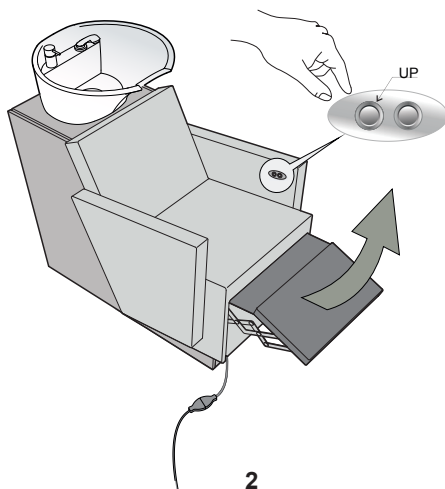
 **DO NOT INSERT FINGERS  
INTO MOVABLE PARTS**



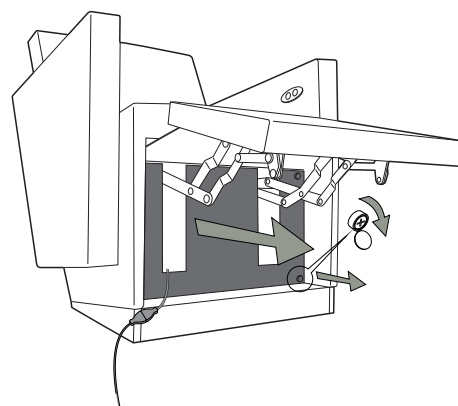
## Installation of main body



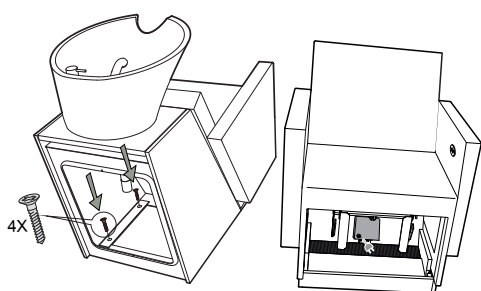
1  
Take the connecting cable  
already outside the legrest



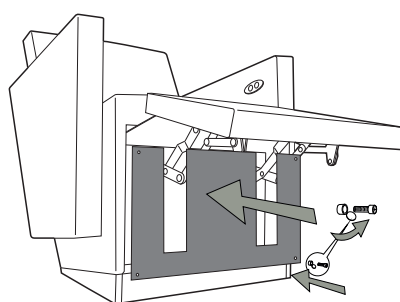
2  
Connect the cable, switch on  
the power and lift up the legrest



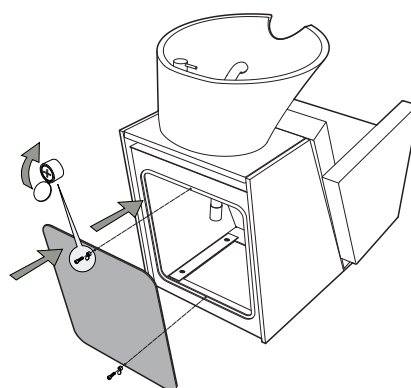
3  
unscrew the frontal  
maintenance cover



4  
fix the anchor screws  
connect piping and power cable  
(see page 8 and 9)



5  
fix the screws to close the  
maintanance front cover



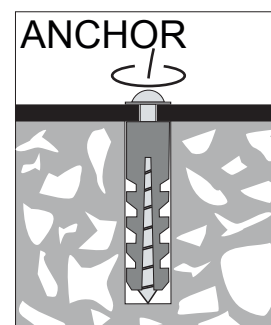
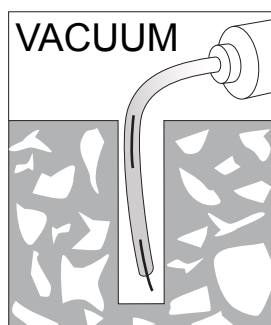
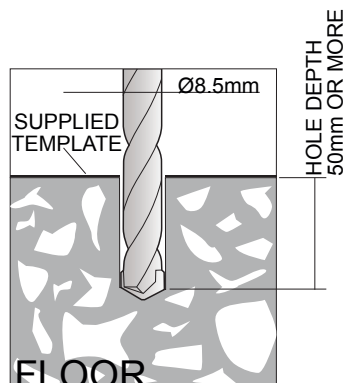
6  
fix the screws to close the  
maintenance back cover

## Installation process for anchor screws / bolts



### Precaution

- The strength of the anchor bolts will be reduced if they are hammered into the hole while touching the bottom. Open up a gap.
- When installing anchor bolts, insert them so that there is 2 to 5 mm of the threaded section of the head protruding. If the bolts are inserted with more than 5 mm protruding, the head may interfere with the cover.



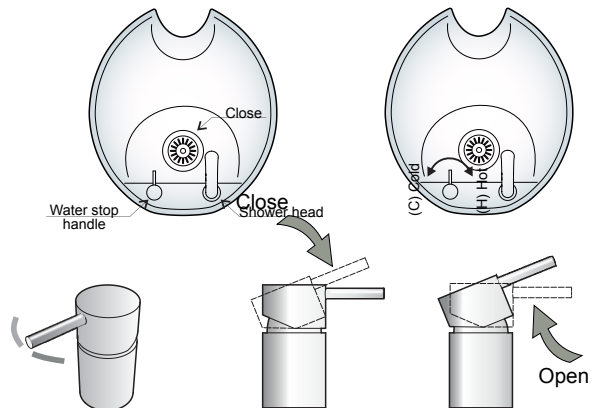
## Attach piping

Attach the water supply pipe and hot water supply pipe



### Precaution

- Always connect the pipe after removing all contaminants on the pipe such as dirt, sand and oil.
- Check that the space around the pipe is completely filled with caulking materials.
- Check that pipe installation suits product specifications (position, pipe, height) and that it matches the pipe installation diagram and template
- Do not connect the hot water supply pipe and water supply pipe in reverse.
- Check that water is not leaking from the joint.



## Checks after installation of pipes

### Test water flow

\* Test the water flow and inspect the following items. The hot water may be slightly tainted at the start of the water flow test, however this does not indicate any problem.

- (1) Is there no water leaking from the pipe joints  
The pipe joints may come loose during transportation, so check the joints within the basin thoroughly.
- (2) Are the hot water supply and water supply pressures at the same, stable pressure
- (3) Can temperature be controlled properly

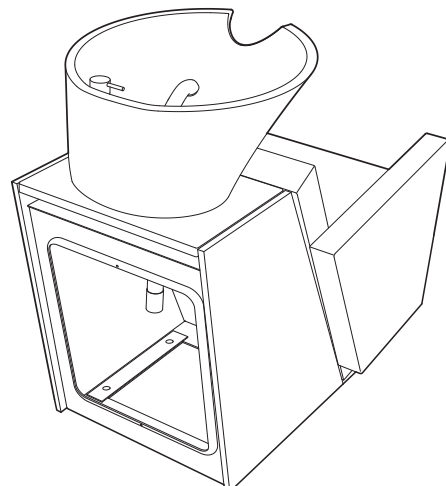


### Precaution

Always test the water flow to prevent accidents during use.

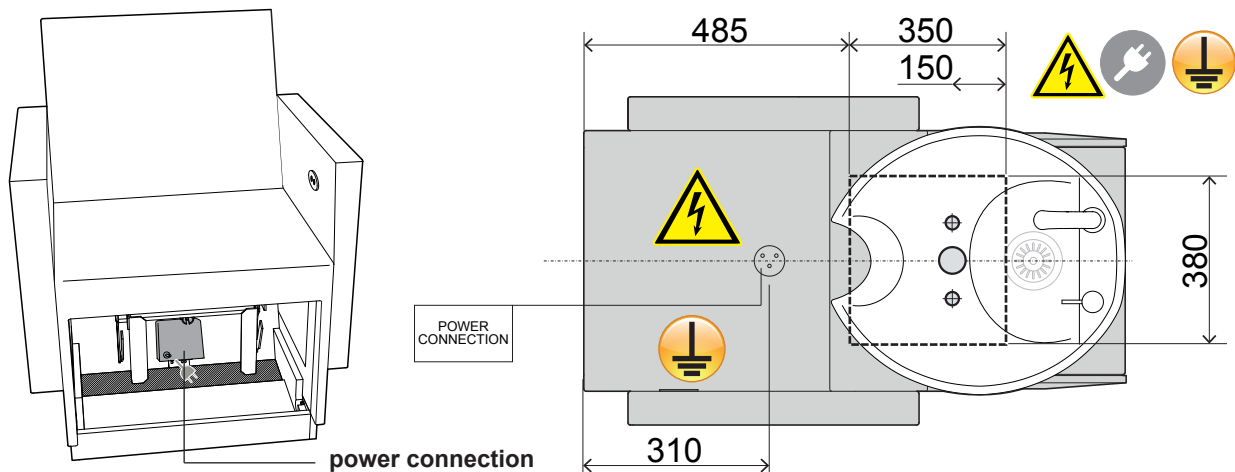
Attach the maintenance cover to the basin

- (1) Insert the maintenance cover into the main body.
- (2) Attach the two covers with the screws (4 pcs)





## Wiring



## After installation



### Precaution

Always conduct the following inspections to prevent accidents during use.

#### °Inspection items

- (1) Are there any screws that have not been attached?
- (2) Is there any rattling?  
Check the attachment areas again if there is any rattling.
- (3) Are there any cracks or dirt on the basin?
- (4) Is there any damage or blemishes on the exterior parts?
- (5) Is water leaking onto the floor surface?

## Note

**TAKARA  
BELMONT**  
Takara Belmont (UK) Ltd.  
BELMONT HOUSE, ONE ST.ANDREWS WAY,BOW LONDON  
E3 3PA, UK  
<http://www.takara.co.uk>  
TEL: +44(0)20 7515 0333